



# FIFTH WHEELS

## INSTALLATION AND ADJUSTMENT INSTRUCTIONS



### Lock Guard Kit RK-05328 for XA-2009 Series Top Plates

#### INSTALLATION:

1. Pull the release handle and pry open the locks.
2. Remove the old lock guard and lock guard parts.
3. Assemble the lock guard, XA-1621 and torsion spring XB-1044 (see *Figure 1*).
4. Mount the lock guard into place, using the pivot shaft XA-1055 and two XB-16 cotter pins.
5. Check the lock guard for spring tension and free movement by actuating the lock guard manually.
6. Check adjustment. When properly adjusted, the center of the hinged lock must contact the lock guard when attempting to swing it closed (see *Figure 2*). If the lock guard is not contacting the center, adjust it by bending it slightly.
7. Lubricate all moving parts with a light oil.

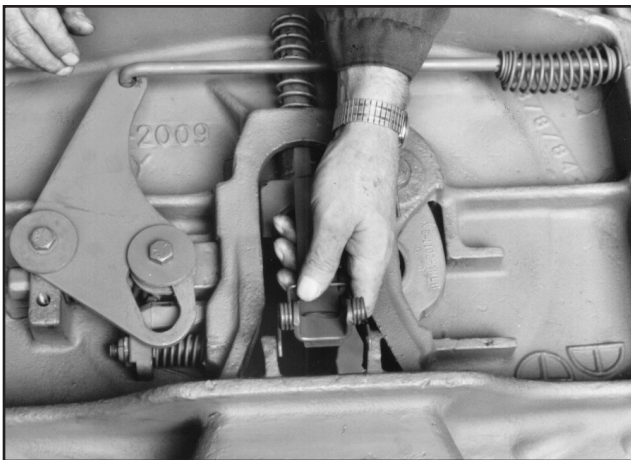


Figure 1

#### CHECK FIFTH WHEEL OPERATION:

As a final check of the installation, close the locks using a Holland Lock Tester. Verify that the locking mechanism functions properly. Refer to Holland publication XL-FW130 for specific details on how to operate the tester.

**NOTE: IF TOP PLATE DOES NOT OPERATE PROPERLY, DO NOT USE IT!** Refer to Holland publication XL-FW134, Rebuilding Procedures for XA-2009 Series Fifth Wheel Top Plates or contact your local Holland representative for assistance.

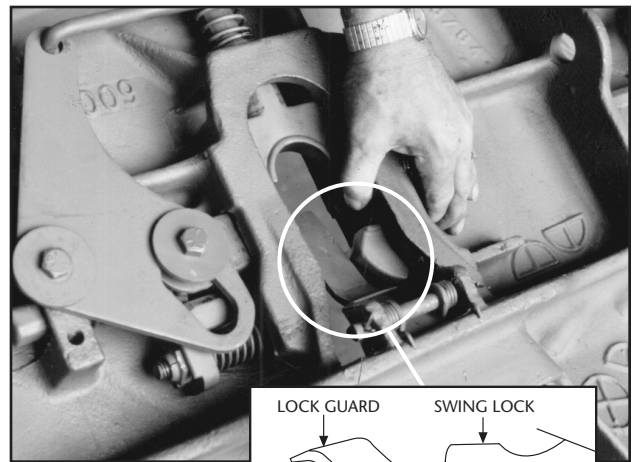
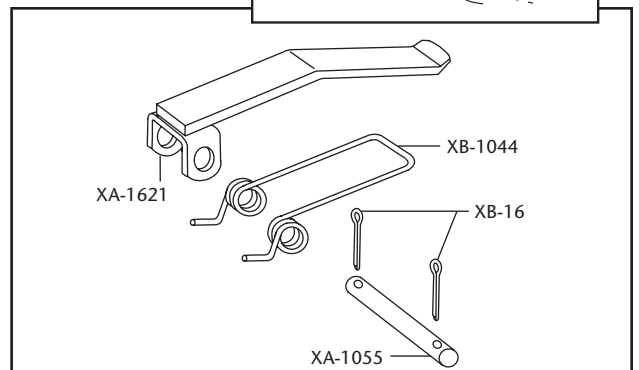


Figure 2



**Holland USA, Inc. Facilities:**

Denmark, SC      Warrenton, MO  
Dumas, AR      Whitehouse Station, NJ  
Holland, MI      Wylie, TX  
Muskegon, MI

**Holland International, Inc.**

Holland, MI  
Phone: 616-396-6501  
Fax: 616-396-1511

**Holland Hitch of Canada, Ltd.**

Woodstock, Ontario • Canada  
Phone: 519-537-3494  
Fax: 800-565-7753

**Holland Equipment, Ltd.**

Norwich, Ontario • Canada  
Phone: 519-863-3414  
Fax: 519-863-2398

**Holland Hitch Western, Ltd.**

Surrey, British Columbia • Canada  
Phone: 604-574-7491  
Fax: 604-574-0244