



SAF-HOLLAND Group



ALCOA

## HOLLAND FWAL SERIES

LIGHTWEIGHT FORGED ALUMINUM FIFTH WHEEL



THE PROVEN FWAL IS THE WORLD'S LIGHTEST  
AND ONLY ALUMINUM FIFTH WHEEL



Engineering Your Road to Success

# HOLLAND FWAL



SAF-HOLLAND Group

## THE WORLD'S LIGHTEST FIFTH WHEEL

Combine the proven reliability of HOLLAND fifth wheels with the leading technology of ALCOA forged aluminum, and the most innovative, lightweight fifth wheel in the world is created. Designed using master engineering, forging and machining technology, the FWAL is performance inspired to save weight and increase your bottom line with larger payloads.

UP TO  
**100 LBS. LIGHTER**  
VS STANDARD-DUTY EQUIVALENT

### FRONT LOCK INSERT

Machined and hardened, wear-resistant alloy.



### CAPACITY

55,000 lbs. (25,000 kg)  
Maximum Vertical Load

150,000 lbs. (68,000 kg)  
Maximum Drawbar Pull

### ADVANCED LUBE PLATE DESIGN

Polyethylene material molded around a honeycomb pattern steel reinforcement plate to create a wear, peel, and warp resistant lube plate.



## 5 Years 500,000 Miles

The HOLLAND FWAL Series is guaranteed for 5 Years / 500,000 Miles to provide maximum operation performance.

In the unlikely case of wear requiring lock mechanism replacement, SAF-HOLLAND will cover the cost of parts, labor and freight.\*

- Lube Plates carry a 2 Year / 200,000 Mile Performance Guarantee

\* Refer to warranty XL-FW10039WC for full details

WHAT DOES THE  
PERFORMANCE  
GUARANTEE  
MEAN FOR YOU?

### LOWLUBE MAINTENANCE SAVINGS

The FWAL eliminates the use of grease on the top plate surface and between the top plate and bracket reducing lubrication cost and time, extending maintenance intervals, and improving driver productivity.





## FORGED ALUMINUM TECHNOLOGY

ALCOA is the trusted leader in the aerospace and defense industries for ultra-strong, yet lightweight aluminum technology. The FWAL is built with the same aluminum grade as military tank and truck wheels. It is then forged in a 35,000 ton press and precision machined for unmatched strength and weight savings.



WEIGHT SAVINGS = INCREASED PAYLOAD  
WHAT DOES -100 LBS. MEAN?

### FUEL TANKER

$$+1 \text{ gal} = -6.4 \text{ lbs.}$$

$$\text{FWAL} = -100 \text{ lbs.}$$

$$\div -6.4 \text{ lbs.}$$

$$= +15.6 \text{ gal./haul}$$

$$15.6 \times 365 \times 3$$

gal. days hauls/day

$$= +17,082 \text{ gal./yr.*}$$

### BULK HAULER

$$\text{FWAL} = -100 \text{ lbs.}$$

$$100 \times 365 \times 2$$

lbs. days hauls/day

$$= +73,000 \text{ lbs./yr.*}$$

## WHEN MAXIMIZING PAYLOAD MATTERS, SPEC THE FWAL



THE FWAL IS APPROVED FOR ALL ON-HIGHWAY STANDARD DUTY APPLICATIONS



### TANKER

- Fuel
- Propane
- Natural Gas
- Cryogenic
- Milk
- Chemical



### BULK HAULER

- Grain
- Concrete
- Plastics



### BEVERAGE

### INTERMODAL



### VAN

### REEFER

\* Numbers shown are for example purposes only. Substitute in your own numbers to calculate what your yearly payload increase could be.

# PRECISION BUILT FOR RELIABLE PERFORMANCE

## PATENTED LOCK RELEASE

Utilizes patented lever arm design to minimize pull effort required.

## LUBE PLATE FASTENERS

Easy access aircraft style fasteners.

## E-Z GRIP™ RELEASE HANDLE

Requires minimum effort and drop design protects handle from damage caused by kingpin during a missed couple. Provides automatic secondary lock to assure safety.



## ARTICULATION POCKET INSERTS

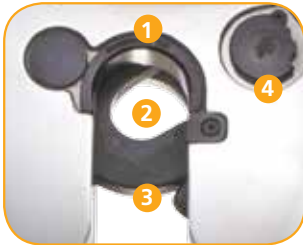
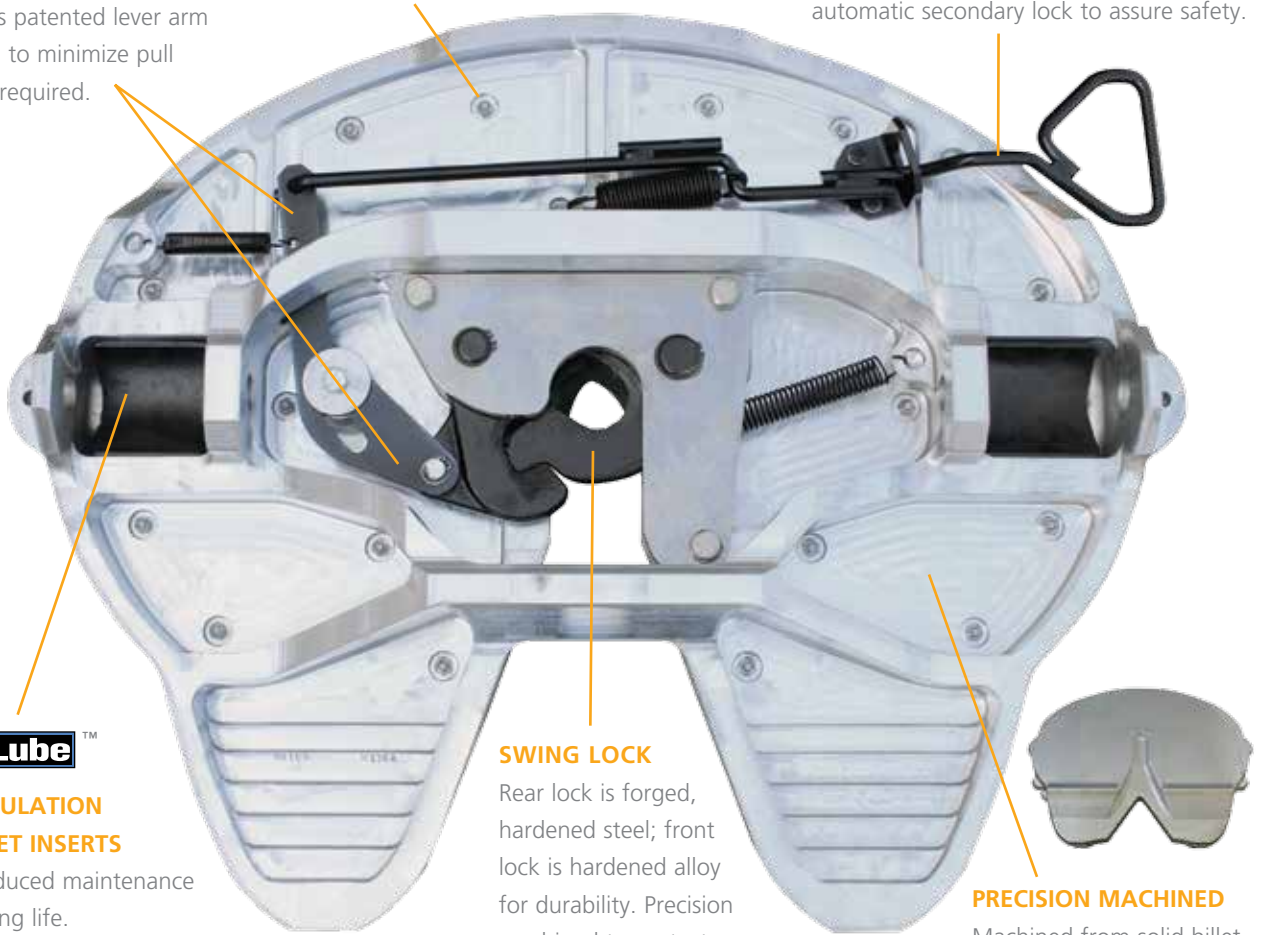
For reduced maintenance and long life.

## SWING LOCK

Rear lock is forged, hardened steel; front lock is hardened alloy for durability. Precision machined to protect from high coupling for enhanced reliability.

## PRECISION MACHINED

Machined from solid billet of high strength aluminum.



- 1 High Coupling Protection.** Lock system protects against coupling at an improper height.
- 2 Much greater Kingpin-to-Lock Contact Area,** over competitive models, for longer kingpin and lock life.
- 3 Forged/Cast Steel Locks.** Rear lock is forged, hardened and machined steel. Front lock is machined and hardened, wear-resistant alloy.
- 4 Lock Adjustment System.** Adjustment process is simple and readily accessible.

## AIR RELEASE OPTION

Allows in-cab release of the fifth wheel locking mechanism. With just a simple pull of a dash-mounted air switch, a pneumatic cylinder on the fifth wheel will effortlessly open the locking mechanism.



# FWAL FIFTH WHEEL SPECIFICATIONS

Up to 100 lbs. Lighter than Competitive Models\*\*

## FWAL Weight Comparison (lbs.)\*


| Bracket Style              | Holland FWAL | Competitor A | Weight Savings FWAL | Competitor B | Weight Savings FWAL |
|----------------------------|--------------|--------------|---------------------|--------------|---------------------|
| Integrated Plate Mount     | 258          | 339          | 81                  | 331          | 73                  |
| Outboard 24" Travel Slider | 383          | 469          | 86                  | 485          | 102                 |

\* All weights for 8" height

\*\* Weight comparison savings were calculated from competition's published weights for low lube models. Contact SAF-HOLLAND for additional details on weight saving calculations.

## FWAL TOP PLATE ONLY

| MODEL NUMBER | APPROX. WEIGHT |
|--------------|----------------|
| XA-AL-A-L-P  | 157 lbs.       |




NOTE: Top plate weights listed include 5 lb. /2.25 kg for mounting pins.

## FWAL ILS™ SLIDING MOUNT FIFTH WHEEL MODELS


### OUTBOARD MOUNT

| MODEL NUMBER | NOMINAL F.W. HEIGHT | SLIDE TRAVEL | APPROX. WEIGHT (lbs./kg) |
|--------------|---------------------|--------------|--------------------------|
| FWALA712XL00 | 7.3"                | 12"          | 345 / 157                |
| FWALA724XL00 | 7.3"                | 24"          | 378 / 172                |
| FWALA736XL00 | 7.3"                | 36"          | 412 / 187                |
| FWALA748XL00 | 7.3"                | 48"          | 445 / 202                |
| FWALA812XL00 | 8.3"                | 12"          | 349 / 159                |
| FWALA824XL00 | 8.3"                | 24"          | 383 / 174                |
| FWALA836XL00 | 8.3"                | 36"          | 417 / 190                |
| FWALA848XL00 | 8.3"                | 48"          | 450 / 205                |
| FWALA912XL00 | 9.3"                | 12"          | 353 / 160                |
| FWALA924XL00 | 9.3"                | 24"          | 387 / 176                |
| FWALA936XL00 | 9.3"                | 36"          | 420 / 191                |
| FWALA948XL00 | 9.3"                | 48"          | 454 / 206                |



### INBOARD MOUNT

| MODEL NUMBER | NOMINAL F.W. HEIGHT | SLIDE TRAVEL | APPROX. WEIGHT (lbs./kg) |
|--------------|---------------------|--------------|--------------------------|
| FWALB712XL00 | 7.3"                | 12"          | 330 / 150                |
| FWALB724XL00 | 7.3"                | 24"          | 358 / 163                |
| FWALB736XL00 | 7.3"                | 36"          | 386 / 175                |
| FWALB748XL00 | 7.3"                | 48"          | 414 / 188                |
| FWALB812XL00 | 8.3"                | 12"          | 335 / 152                |
| FWALB824XL00 | 8.3"                | 24"          | 363 / 165                |
| FWALB836XL00 | 8.3"                | 36"          | 391 / 178                |
| FWALB848XL00 | 8.3"                | 48"          | 419 / 190                |
| FWALB912XL00 | 9.3"                | 12"          | 339 / 154                |
| FWALB924XL00 | 9.3"                | 24"          | 367 / 167                |
| FWALB936XL00 | 9.3"                | 36"          | 395 / 180                |
| FWALB948XL00 | 9.3"                | 48"          | 423 / 192                |



NOTE: For air release option, add "80" to end of model number. Example: FWALA712XL80

## FWAL STATIONARY MOUNT FIFTH WHEEL MODELS

### FOOT MOUNT

| MODEL NUMBER | NOMINAL F.W. HEIGHT | APPROX. WEIGHT (lbs/kg) |
|--------------|---------------------|-------------------------|
| FWALY600XL00 | 6.3"                | 227 / 103               |
| FWALY700XL00 | 7.3"                | 233 / 106               |
| FWALY800XL00 | 8.3"                | 238 / 108               |
| FWALY900XL00 | 9.3"                | 243 / 110               |



### INTEGRATED PLATE MOUNT

| MODEL NUMBER | NOMINAL F.W. HEIGHT | APPROX. WEIGHT (lbs/kg) |
|--------------|---------------------|-------------------------|
| FWALZ600XL00 | 6.3"                | 243 / 110               |
| FWALZ700XL00 | 7.3"                | 251 / 114               |
| FWALZ800XL00 | 8.3"                | 258 / 117               |
| FWALZ900XL00 | 9.3"                | 254 / 115               |



### BRACKETS ONLY FOR WELDING TO ANGLES

| MODEL NUMBER | NOMINAL F.W. HEIGHT | APPROX. WEIGHT (lbs/kg) |
|--------------|---------------------|-------------------------|
| FWALX600XL00 | 5.9"                | 198 / 90                |
| FWALX700XL00 | 6.9"                | 204 / 93                |
| FWALX800XL00 | 7.9"                | 209 / 95                |
| FWALX900XL00 | 8.9"                | 214 / 97                |



### BRACKETS WITH MOUNTING ANGLES

| MODEL NUMBER  | NOMINAL F.W. HEIGHT | APPROX. WEIGHT (lbs/kg) |
|---------------|---------------------|-------------------------|
| FWALW600GL00* | 6.3"                | 256 / 116               |
| FWALW700GL00* | 7.3"                | 262 / 119               |
| FWALW800GL00* | 8.3"                | 267 / 121               |
| FWALW900GL00* | 9.3"                | 272 / 124               |



\* Standard angle dimensions – 4" x 4" x .38" x 36"  
"G" equals 34" frame width; for other widths, replace "G" with proper frame width code letter. Contact a SAF-HOLLAND representative for assistance.

## FIFTH WHEEL FRAME WIDTH CODE CHART

| FRAME WIDTH | CODE | FRAME WIDTH | CODE |
|-------------|------|-------------|------|
| 33.25"      | A    | 34.00"      | G    |
| 33.38"      | B    | 34.12"      | H    |
| 33.50"      | C    | 34.25"      | J    |
| 33.62"      | D    | 34.38"      | K    |
| 33.75"      | E    | 34.50"      | L    |
| 33.88"      | F    |             |      |

For full specification information, see the HOLLAND Fifth Wheel Specification Guide XL-FW10066SG.



**SAF-HOLLAND** is a leading supplier of highly efficient components, systems and service programs in the global commercial vehicle industry. Our three core product brands are recognized for delivering innovative solutions that optimize fleet operations in every corner of the world.



**TRAILER AXLES AND  
SUSPENSION SYSTEMS**



**COUPLING AND LIFTING  
TECHNOLOGIES**



**SUSPENSIONS FOR  
TRUCKS AND BUSES**

With our team of over 3,000 employees and a worldwide network of over 9,000 service partners, we serve our fleet customers with know-how and passion, and always focused on one target: **Engineering your road to success.** Anywhere in the world. Under any conditions. 365 days a year.

HIGHLY EFFICIENT COMPONENTS AND SYSTEMS FOR TRUCKS AND TRAILERS



EUROPE | AMERICAS | AFRICA | ASIA | MIDDLE EAST | AUSTRALIA

[safholland.com](http://safholland.com)

**SAF-HOLLAND, Inc.**  
888.396.6501 Fax 800.356.3929

**SAF-HOLLAND Canada Limited**  
519.537.3494 Fax 800.565.7753  
Western Canada 604.574.7491 Fax 604.574.0244