

“DO NOT WELD” Note Clarification on ILS (Integrated Light Weight Slider)

June 2016

1. Introduction

This service bulletin is intended to clarify the intent of the “DO NOT WELD” note that is cast in the ILS slide brackets.

2. “DO NOT WELD” Intent

NOTE: Welding on SAF-HOLLAND® products is only allowed as specified in product literature, or with the express written approval from SAF-HOLLAND® Engineering. In other circumstances, welding is considered an intentional modification and could void the product warranty or create an unsafe condition, which could result in premature failure of the product.

⚠ WARNING

Unauthorized welding may affect the strength and durability of the product, which could result in premature failure of the product which, if not avoided, could cause tractor/trailer separation that may result in death or serious injury.

1. The slide base on ILS series sliders are steel structures. However, the sliding brackets on the ILS slider are made from ductile iron. Welding on these brackets could result in an unsafe condition. Therefore, “DO NOT WELD” is cast on these brackets. Refer to **Figure 1 and 2**.
2. Please refer to the Installation Instructions, Owner’s Manual and Warranty Statement for your specific SAF-HOLLAND® product, for other SAF HOLLAND® requirements and recommendations.

⚠ WARNING

Welding on ductile iron may cause failure of the metal which, if not avoided, could cause tractor/trailer separation that may result in death or serious injury.

Figure 1

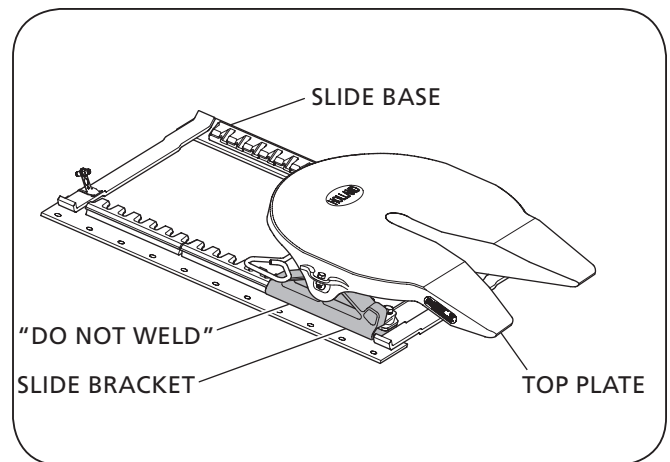
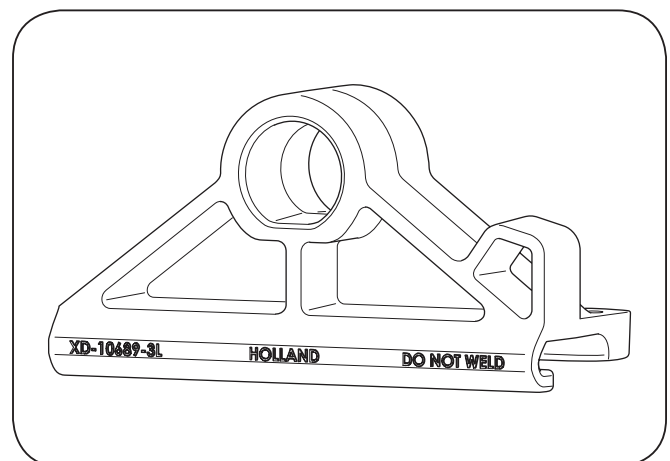


Figure 2





From fifth wheel rebuild kits to suspension bushing repair kits, SAF-HOLLAND Original Parts are the same quality components used in the original component assembly.

SAF-HOLLAND Original Parts are tested and designed to provide maximum performance and durability. Will-fits, look-alikes or, worse yet, counterfeit parts will only limit the performance potential and could possibly void SAF-HOLLAND's warranty. Always be sure to spec SAF-HOLLAND Original Parts when servicing your SAF-HOLLAND product.

SAF-HOLLAND USA • 888.396.6501 • Fax 800.356.3929

www.safholland.us

SAF-HOLLAND CANADA • 519.537.3494 • Fax 800.565.7753

WESTERN CANADA • 604.574.7491 • Fax 604.574.0244

www.safholland.ca

SAF-HOLLAND MEXICO • 52.55.5362.8743 • Fax 52.55.5362.8743

www.safholland.com.mx

info@safholland.com