



SAF-HOLLAND Group

HOLLAND IN-CAB AIR RELEASE FOR ALL STANDARD DUTY FIFTH WHEELS



ICR FEATURE IMPROVES DRIVER
EFFICIENCY AND REDUCES OPERATION
COSTS – NOW AVAILABLE WITH SIX
DIFFERENT TOP PLATE MODELS



IN-CAB AIR RELEASE (ICR) FIFTH WHEEL SYSTEMS

PRODUCTIVE DRIVERS EQUAL A PRODUCTIVE OPERATION

Many factors affect driver productivity. Uncoupling the fifth wheel is one. In the past, uncoupling was done manually. That had some disadvantages that affected driver comfort, safety, productivity, and your profits. In response, the HOLLAND In-Cab Air Release System has been developed to permit drivers to quickly and safely control the uncoupling process from the cab.

SAFE

The In-Cab Air Release system is designed to assure that the fifth wheel lock release can only be operated when the vehicle is standing still with brakes applied. The unique air-assisted interlock design absolutely prevents accidental release of the fifth wheel lock, while still allowing manual release operation if necessary.

EFFORTLESS

The optional In-Cab Air Release system allows the in-cab release of the fifth wheel locking mechanism. With just a simple pull of a dash-mounted air switch, a pneumatic cylinder on the fifth wheel will effortlessly open the locking mechanism. Gone are the days of reaching in to grasp a greasy release handle.

EFFICIENT

Reduce the time your driver spends manually locking and unlocking the fifth wheel. Less manual interaction with the fifth wheel limits potential injuries that can lead to expensive worker's compensation claims.

CONSISTENT

Backed by SAF-HOLLAND's Performance Guarantee, the In-Cab Air Release system will work reliably when you need it to—every time.

PULL A SWITCH AND PULL AWAY



WHAT DOES THE PERFORMANCE GUARANTEE MEAN TO YOU?

For the stated Performance Guarantee period:

The HOLLAND fifth wheel is guaranteed to provide maximum operation performance.

In the unlikely case of wear requiring lock mechanism replacement, SAF-HOLLAND will cover the cost of parts, labor and freight.*

In addition, they are covered with a 2-Year warranty on the pneumatic cylinder.

* Refer to specific model warranty for full details.

THE FLEET ADVANTAGES



- **DRIVER EFFICIENCY IS IMPROVED**
The HOLLAND Air Release system helps them stay on schedule, especially with today's diverse drivers.
- **DRIVERS ARE MORE COMFORTABLE**
Safer, less strain, fatigue, and potential for injury, especially in bad weather or when access to the release handle is difficult. You may even reduce workers compensation costs.
- **DRIVERS WILL FEEL BETTER**
No more greasy, grimy hands and clothes, or unnecessary cleanup time.

HOLLAND FIFTH WHEEL LOCK RELEASE TECHNOLOGY



SAF-HOLLAND Group

SIMPLE, EASY TO OPERATE, IN-CAB SYSTEM

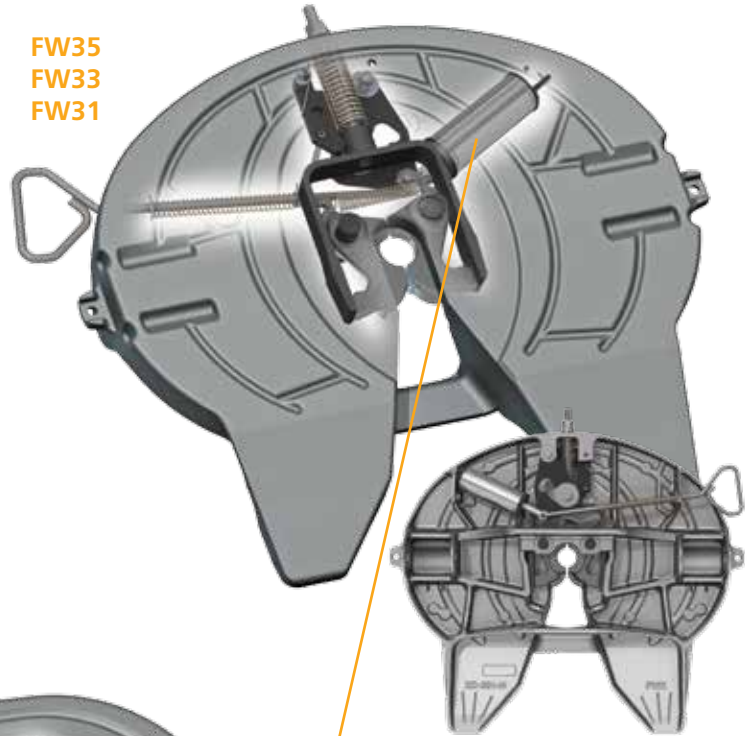
Here's how it works.

- Set the tractor parking brake to activate the system.
- Then push (or pull, depending on installation) the dash-mounted button to activate a pneumatic cylinder on the fifth wheel to open the lock.



The system allows manual release operation, if necessary.

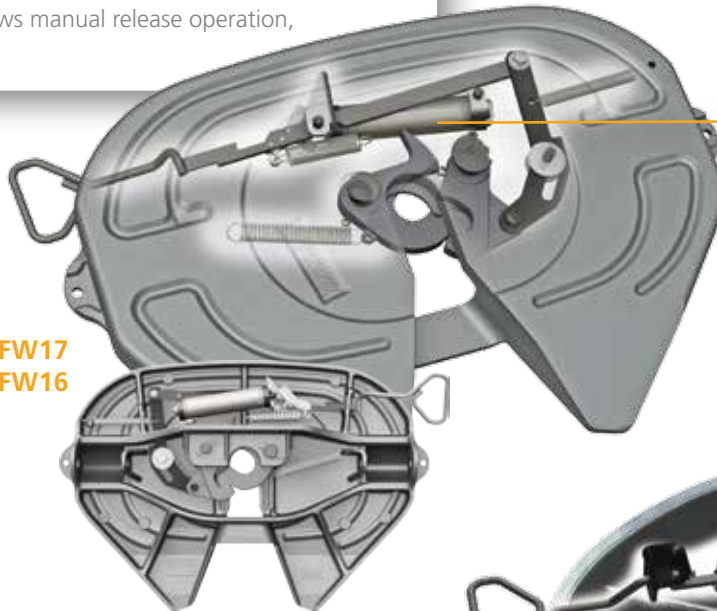
FW35
FW33
FW31



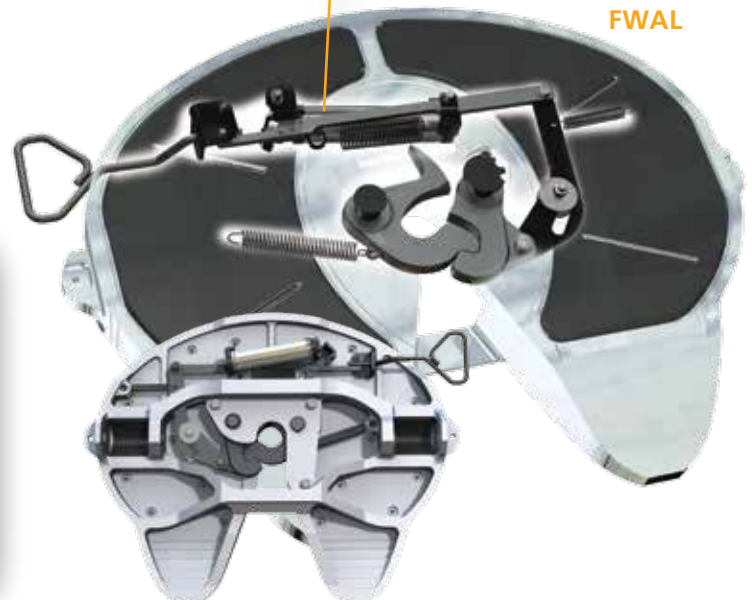
HIGH QUALITY PNEUMATIC CYLINDER

is corrosion resistant ensuring long life and consistent operation.

FW17
FW16



FWAL



EASY TO ORDER

To add the HOLLAND Air Release system to your HOLLAND fifth wheel model specification, simply add *Option Code 80* to your spec. It is available from all major OEMs.

Ask your SAF-HOLLAND sales representative about the NoLube feature for an even higher level of enhanced fleet operation efficiency.



SAF-HOLLAND is a leading supplier of highly efficient components, systems and service programs in the global commercial vehicle industry. Our three core product brands are recognized for delivering innovative solutions that optimize fleet operations in every corner of the world.



**TRAILER AXLES AND
SUSPENSION SYSTEMS**



**COUPLING AND LIFTING
TECHNOLOGIES**



**SUSPENSIONS FOR
TRUCKS AND BUSES**

With our team of over 3,000 employees and a worldwide network of over 9,000 service partners, we serve our fleet customers with know-how and passion, and always focused on one target: **Engineering your road to success.** Anywhere in the world. Under any conditions. 365 days a year.

HIGHLY EFFICIENT COMPONENTS AND SYSTEMS FOR TRUCKS AND TRAILERS



EUROPE | AMERICAS | AFRICA | ASIA | MIDDLE EAST | AUSTRALIA

safholland.com

SAF-HOLLAND, Inc.
888.396.6501 Fax 800.356.3929

SAF-HOLLAND Canada Limited
519.537.3494 Fax 800.565.7753
Western Canada 604.574.7491 Fax 604.574.0244