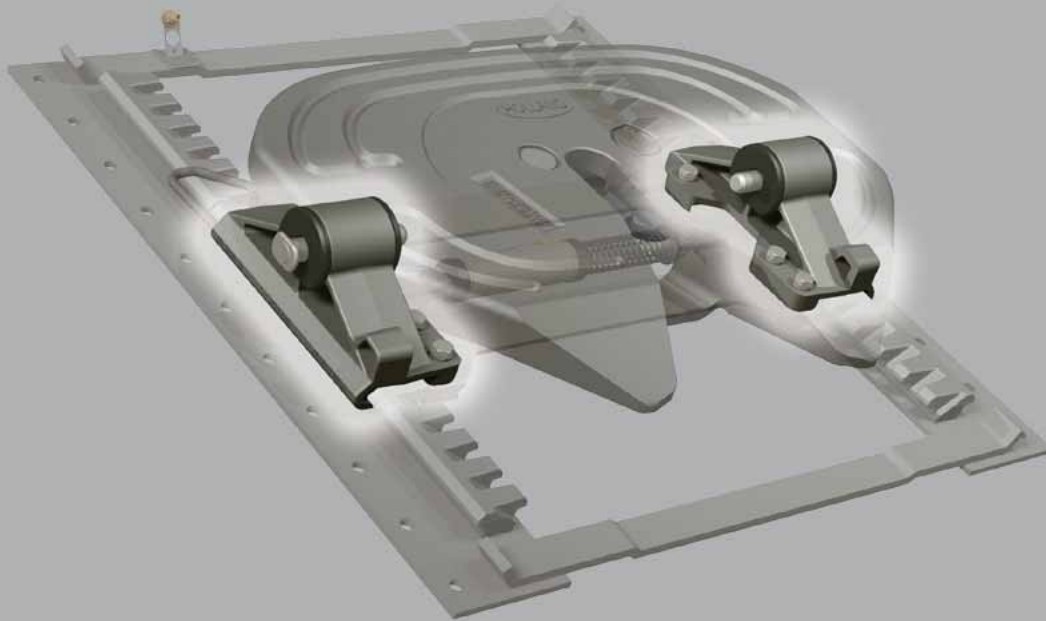


HOLLAND Fifth Wheel Mounting Bracket Exchange Program

For Stationary & Slider
Mounting Brackets On
New Tractors



Purpose

To provide for easy, low cost stationary and sliding fifth wheel bracket exchange for new tractors when a change in fifth wheel height is required. For example, if there is a change in the specification that lowers the trailer upper coupler height and for proper vehicle operating conditions, it may be necessary to lower the fifth wheel height to keep the overall height of the vehicle within legal limits.

Program Details

- This program is provided — **at no cost, unless the bracket list prices differ** — exclusively to franchised truck dealers for new tractors not yet licensed or put into service.
- Includes standard stationary and sliding fifth wheel brackets only — not customer special order brackets.
- Bracket exchange tables providing specific bracket exchange feasibility options are found on page 3 and 4 of this booklet.
- Step-by-step replacement procedures are available. See literature XL-FW10008IM-en-US, available at www.safholland.us.

Exchange Procedures

1. The dealer contacts the nearest SAF-HOLLAND customer service representative at 1-888-396-6501 to request a bracket exchange and to provide current and new fifth wheel bracket specifications.
2. SAF-HOLLAND will issue a "Return Goods Authorization" number (RGA #).
3. Dealer issues a purchase order for the new brackets. New mounting hardware is recommended. All hardware is available from SAF-HOLLAND by ordering kit #PK-FAST-10 for stationary bracket replacement. No additional hardware is required for sliders.
4. SAF-HOLLAND ships new brackets "freight collect", and will invoice at current pricing.
5. Dealer returns improper height brackets freight pre-paid—noting the RGA # on the bill of lading.
6. When returning brackets, they must be cleaned, the old paint removed, painted black, and returned in reusable condition. If this process is not followed, there will be a \$50.00 reconditioning charge.
7. Upon receipt of the old, improper height brackets, credit is issued at current pricing.

Bracket Replacement Guidelines

Stationary Brackets:

Replace the entire mounting bracket assembly, including new attachment bolts, to the outboard angle. Bolt replacement is required. Order PK-FAST-10.

Traditional (Old Style) Slider Brackets:

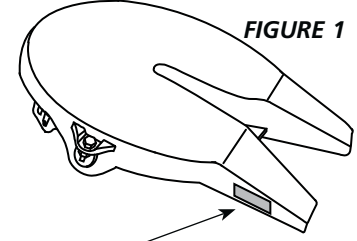
Replace only the bracket assembly—the slide base is not removed from the mounting angles. Slide bracket replacement requires removal of the old slide stops, and welding of the new slide stops (bolted hardware is not used). A proper welding procedure is required. (See XL-FW10008IM-en-US for welding procedure.)

ILS Slider Brackets:

Replace only the brackets—the slider base is not removed from the mounting angles. New bracket connection hardware is included in the ILS bracket kit.

Bracket Identification

All of the information needed to determine your current fifth wheel bracket style and height is included in the fifth wheel model number printed on the serial number tag attached to the driver side pick-up ramp of the fifth wheel (FIGURE 1). The first two digits after the series number identify your bracket.



Serial Number and Model Number Tag is located on the Driver-Side "Pick-up Ramp" of the Fifth Wheel

New Bracket Style ID Tag

MODEL NO.	MFG. DATE/SER. NO.
FW -- XX	A981234H

These two digits identify your current fifth wheel bracket style and height.

Height (approx.)

6 = 6" (stationary only)
7 = 7"
8 = 8"
9 = 9"

Mounting Style

Slider

A = Outboard
B = Inboard (serrated edge)
C = Inboard (straight edge)

Stationary

Z = Plate Mount (formerly 788X)
Y = Foot Mount (formerly 780X)
X = Bracket Casting Only (formerly 782X)
W = Bracket w/4" Vertical Leg Angle (formerly 781X)
V = Bracket w/5" Vertical Leg Angle

Old Bracket Style ID Tag

MODEL NO.	MFG. DATE/SER. NO.
FW - XXXX	A 981234H

These four digits identify your current fifth wheel bracket style and height.

Manual Release Height (Approx.)

001 ___ 9"
002 ___ 8"
003 ___ 7"
301 ___ 8.5"
009 ___ 10.5"

Air Release Height (Approx.)

011 ___ 9"
012 ___ 8"
013 ___ 7"
311 ___ 8.5"
019 ___ 10.5"

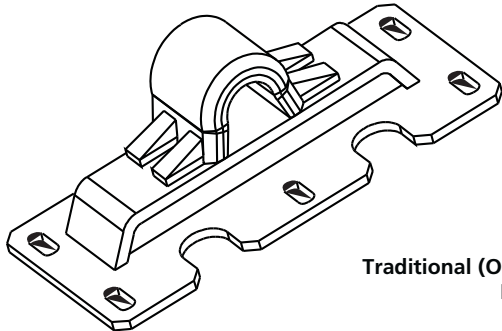
Side Bracket Mount Type

7 Over-the-Frame
8 Outboard

*Fifth Wheel height varies slightly between models.

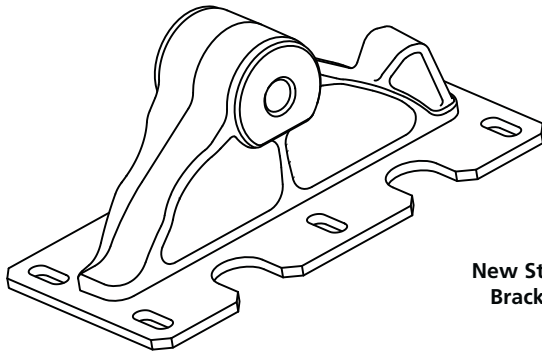
Stationary Brackets

Brackets included within each of the following tables are interchangeable. Brackets are **not** interchangeable from table to table.



Traditional (Old Style) Brackets

NOTE: Traditional (Old Style) Bracket has been replaced with new style Cast Bracket



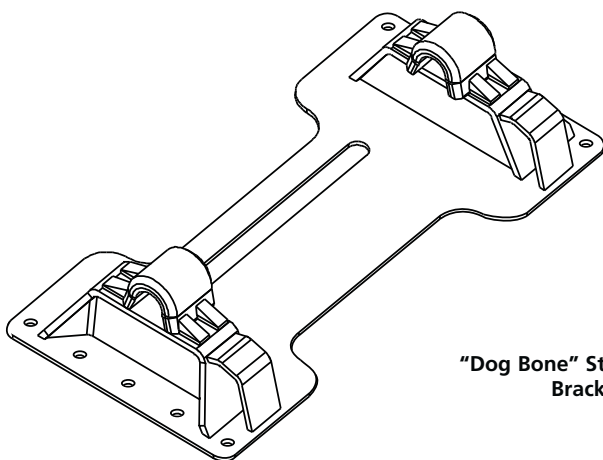
New Style Brackets

TRADITIONAL (OLD STYLE) BRACKETS		
Old Fifth Wheel Model Number	Bracket Part Number	Height*
FW _ -7804 ____	RK-Y600	5.69"
FW _ -7803 ____	RK-Y700	6.69"
FW _ -7802 ____	RK-Y800	7.69"
FW _ -7801 ____	RK-Y900	8.69"

* Height of the fifth wheel from the tractor frame to the top of the fifth wheel plate when level.

NEW STYLE BRACKETS		
Old Fifth Wheel Model Number	Bracket Part Number	Height*
FW _ -Y600 ____	RK-Y600	5.63"
FW _ -Y700 ____	RK-Y700	6.63"
FW _ -7800 ____	RK-Y800	7.63"
FW _ -7900 ____	RK-Y900	8.63"

* Height of the fifth wheel from the tractor frame to the top of the fifth wheel plate when level.



"Dog Bone" Style Brackets

"DOG BONE" STYLE BRACKETS		
Old Fifth Wheel Model Number	Bracket Part Number	Height*
FW _ -7886 ____	RK-Z600	5.69"
FW _ -7885 ____	RK-Z700	6.69"
FW _ -7884 ____	RK-Z800	7.69"
FW _ -7883 ____	RK-Z00	7.69"
New Fifth Wheel Model Number	Bracket Part Number	Height*
FW _ -Z600 ____	RK-Z600	5.63"
FW _ -Z700 ____	RK-Z700	6.63"
FW _ -Z800 ____	RK-Z800	7.63"
FW _ -Z900 ____	RK-Z900	8.63"

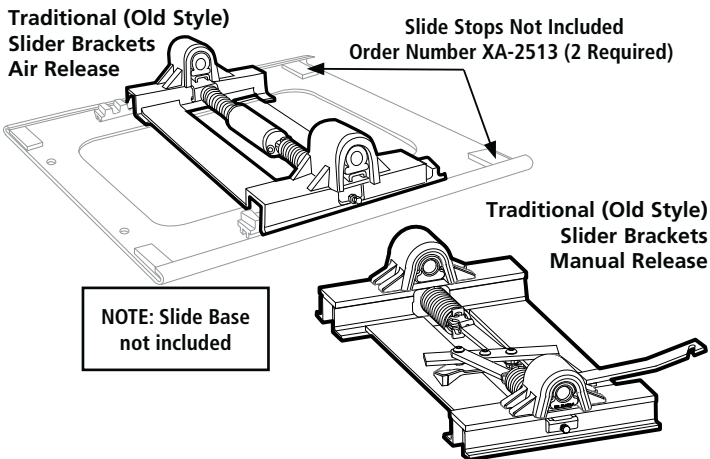
* Height of the fifth wheel from the tractor frame to the top of the fifth wheel plate when level.

Bracket Exchange Tables — Slider Brackets

Slider Brackets

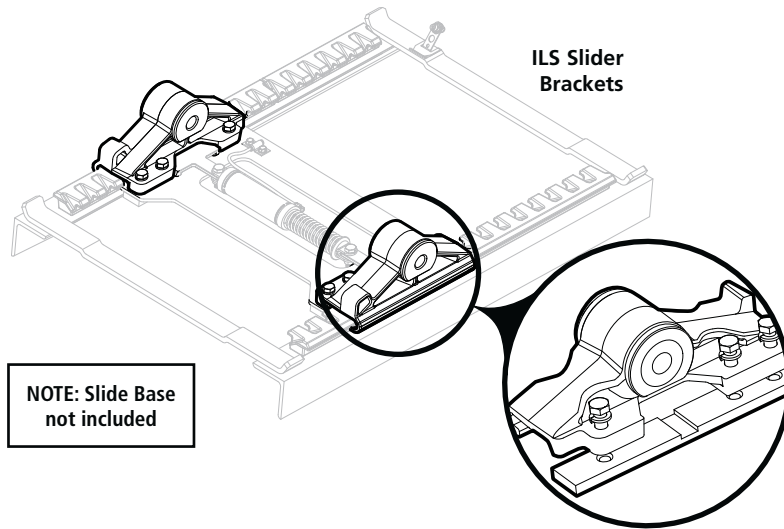
NOTE 1: The 7.00" air release slider brackets are longer than the higher brackets and will **reduce available slide travel**.

NOTE 2: Also, if a 7.00" bracket is replaced with a higher bracket, the slide travel will increase and may **create trailer to tractor cab interference problems**.



TRADITIONAL (OLD STYLE) BRACKETS			
Old Fifth Wheel Model Number	Bracket Part Number Air Release Style	Bracket Part Number Manual Release Style	Height*
FW _ -7001 ___ FW _ -8001 ___	XA-7001	XA-7011	9.00"
FW _ -7002 ___ FW _ -8002 ___	XA-7002	XA-7012	8.00"
FW _ -7003 ___ FW _ -8003 ___	XA-7003	XA-7013	7.00"
FW _ -7301 ___ FW _ -8301 ___	XA-7301	XA-7311	8.50"
FW _ -7009 ___ FW _ -8009 ___	XA-7009	XA-7019	10.50"

* Height of the fifth wheel from the tractor frame to the top of the fifth wheel plate when level.



ILS SLIDER BRACKETS		
Fifth Wheel Model Number	Bracket Part Number	Height*
FW ___ A7 ___	RK-10689-1	7.00"
FW ___ A8 ___	RK-10689-2	8.00"
FW ___ A9 ___	RK-10689-3	9.00"

* Height of the fifth wheel from the tractor frame to the top of the fifth wheel plate when level.

SAF-HOLLAND USA, Inc.
800.876.3929 Fax 800.356.3929
www.safholland.us

SAF-HOLLAND Mexico
52.55.5362.8743
www.safholland.mx

SAF-HOLLAND Canada Limited
519.537.3494 Fax 800.565.7753
Western Canada 604.574.7491 Fax 604.574.0244
www.safholland.ca