



SAF-HOLLAND Group

HOLLAND MOV-ON™ SERIES

AIR AND HYDRAULIC ELEVATING FIFTH WHEELS



CONVERTS A STANDARD ROAD TRACTOR
FOR LOW-COST, EFFICIENT YARD SPOTTING,
SWITCHING AND HAULING



MOV-ON™ AIR ELEVATING FIFTH WHEELS



SAF-HOLLAND Group

Applications

Truck fleet terminals, rail yard piggyback operations, marine terminal container handling, interplant freight, industrial material handling and shipping.

For fast, efficient trailer movement.

CAPACITY: 40,000 lbs. VERTICAL LIFT

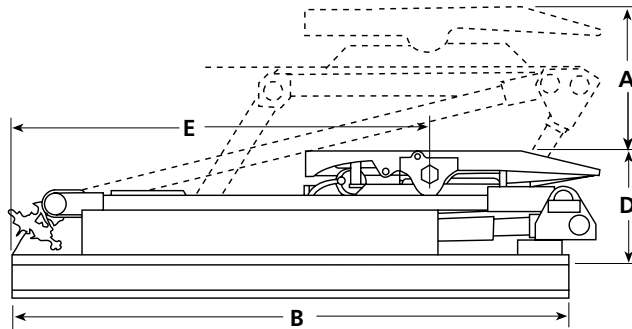
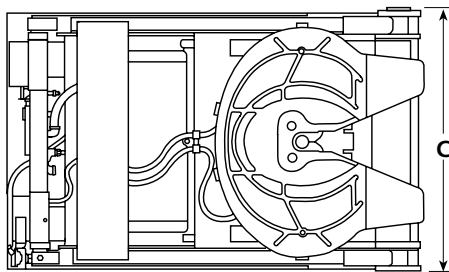
- 16" lift height.
- Low cost solution to your trailer spotting problem.
- Ease of maintenance – bushed pivot points and fewer moving parts.
- Lower maintenance cost – simplicity of pneumatic lift system.
- Utilizes air system already on vehicle.
- Lifts load straight up – minimum lift swing.



FW67-16B

- Operates efficiently in all climates.
- Easily accessible grease fitting at pivot points.
- HOLLAND TwinLock™ – specially designed for the excessive lock/unlock demands of the yard tractor. Locks are forged alloy steel, machined and heat treated for maximum wear and toughness.

Note: Mounting angles included with unit.



AIR LIFTS

Description	Model	A	Lift Capacity	B	C	D	Minimum** Cab-Angle Dimension 96" Wide / 102" Wide		E	Approx. Weight
		Nominal Lift Height		Length	Base Width	Height Down			Dim. Front to Center of Lock In Up Position	
Single Air Bag	FW67-16B	15.25"	40,000 lbs.	61.50"	41.12"	12.25"	64.0"	67.0"	46.00"	1,986 lbs.

SPECIFICATIONS

- Four-ply hypolon-coated air bags operate at maximum pressure of 145 pounds.
- To be used with 24 CFM air compressor for maximum lift efficiency, but may be used with a dedicated 16 CFM (minimum) unit.
- Nine cubic foot air tank included.
- Top of frame mounting.
- Equipped with manual secondary lock.

Note: **Lift Height A:** Distance from down height to maximum raised height.
Lift Capacity: Refers to maximum lift capacity of unit.
Height Down D: Distance from top of tractor to top of fifth wheel plate when unit is in down position.

* C.A. dimension (cab-to-axle): Distance from tractor cab to centerline of single or tandem axles. C.A. dimensions in chart are recommended minimums and are based on 96" or 102" wide, square-nosed trailers with 36" kingpin settings. When minimum C.A. is used, the fifth wheel must be mounted directly above the rear axle or bogie center. If unit is to be mounted ahead of the rear axle or bogie center, a longer C.A. tractor must be used. Note: The kingpin (fifth wheel fore-aft pivot center) must be ahead of the rear axle or bogie center.

For desired fifth wheel height installed, it may be necessary to reduce tire size, install full pickup ramps, or remove spring leaves to achieve desired fifth wheel heights when coupling. Spring blockouts are provided with air lift units.

WARNING: THESE AIR LIFT UNITS ARE NOT DESIGNED FOR OPERATION ON PUBLIC STREETS OR HIGHWAYS, BUT WHEN SUCH TRAILER MOVES ARE NECESSARY, THE MANUAL SECONDARY LOCK MUST BE ENGAGED TO PREVENT ACCIDENTAL DISENGAGEMENT OF THE TRAILER KINGPIN. FAILURE TO ENGAGE THE MANUAL SECONDARY LOCK AND LOCK DOWN LIFT MECHANISM PER HOLLAND OPERATING PROCEDURES MAY RESULT IN TRACTOR-TRAILER SEPARATION WHICH, IF NOT AVOIDED, COULD RESULT IN DEATH OR SERIOUS INJURY.

MOV-ON™ HYDRAULIC ELEVATING FIFTH WHEELS



When hydraulics are preferred and extra capacity is a must.

CAPACITY: 50,000 – 100,000 lbs. VERTICAL LIFT

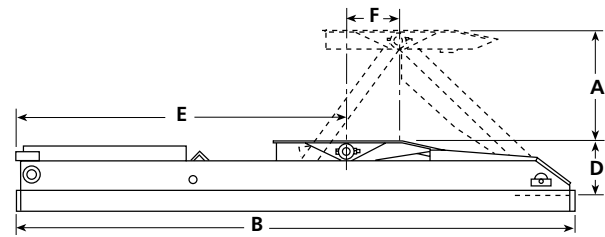
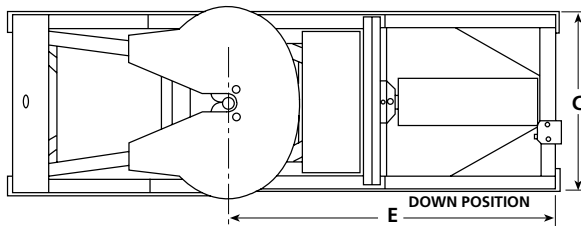
- Available with single cylinder (50,000 lbs. lift capacity) and twin cylinder (100,000 lbs. lift capacity).
- A variety of lift heights – 14", 15", 18.5" and 19.5".
- Equipped with 8" I.D. double action hydraulic cylinders (pump up/ pump down). Cold weather won't affect lowering of fifth wheel.
- Optional air operated lift control kit for ease of operation.
- Rigid, rugged construction. Weight is carried directly over the tractor frame for maximum support and efficient load distribution.
- HOLLAND TwinLock™, specially designed for the excessive lock/ unlock demands of the yard tractor. Locks are forged alloy steel, machined and heat treated for maximum wear and toughness.



FW2900-5X

- Easily accessible grease fittings for ease of maintenance.
- For frequent over-the-road usage on public streets or highways, the FW2800-X and FW2900-X models are available with a lock down option (specify Option Code "87").

Note: Mounting angles, oil tank and filter included with basic unit.



HYDRAULIC LIFTS

Description	Model	A Nominal Lift Height	Lift Capacity	B Length		C Base Width	D Height Down	E Frame Front	F Swing Length	Minimum* Cab-Angle Dimension		Approx. Weight
				With Mounting	Without Angles					96" Wide / 102" Wide	96" Wide / 102" Wide	
Single Cylinder	FW2800-X	19.19"	50,000 lbs.	103.00"	101.31"	34.00"	9.88"	61.50"	9.38"	74.0"	77.0"	1,661 lbs.
Single Cylinder with Lock Down	FW2800-X-87	17.90"	50,000 lbs.	103.00"	101.31"	34.00"	11.13"	61.63"	9.16"	74.0"	76.0"	1,722 lbs.
Single Cylinder	FW2900-X	13.88"	50,000 lbs.	89.00"	86.62"	34.00"	9.88"	50.20"	5.88"	70.0"	73.0"	1,523 lbs.
Single Cylinder with Lock Down	FW2900-X-87	12.50"	50,000 lbs.	89.00"	86.62"	34.00"	11.13"	50.44"	5.56"	70.0"	73.0"	1,584 lbs.
Twin Cylinder	FW2800-5X	18.50"	100,000 lbs.	108.00"	106.00"	106.00"	11.75"	66.31"	9.88"	74.0"	77.0"	2,105 lbs.
Twin Cylinder	FW2900-5X	15.00"	100,000 lbs.	95.38"	93.38"	93.38"	11.13"	57.07"	6.75"	71.0"	74.0"	1,920 lbs.

SPECIFICATIONS

- Bearing areas and moving parts are oversized to minimize wear.
- P.T.O. ratio of 1:1 recommended for all units; 100% of engine RPM.
- 17 GPM (at 1300 rpm) pump provided with single cylinder units.
- 20 GPM (at 1300 rpm) pump provided with twin cylinder units. Both systems designed to operate at 1800 psi maximum.
- Equipped with manual secondary lock.

HYDRAULIC LIFT ACCESSORIES

- RK-2800-11-G Hydraulic control valve for all single cylinder models.
- RK-2800-20-G Hose and fittings for single cylinder models.
- RK-2800-30-G Hose and fittings for twin cylinder models.
- RK-2800-41-G Hydraulic control valve and flange kits for twin cylinder models.
- RK-2800-50 Air operated lift control for all models (optional).

* C.A. dimension (cab-to-axle): Distance from tractor cab to centerline of axle or tandem bogie. C.A. dimensions in chart are recommended minimums and are based on 96" or 102" wide, square-nosed trailers with 36" kingpin settings. When minimum C.A. is used, the fifth wheel must be mounted ahead of the rear axle or bogie centerline a distance equal to "F" dimension. If unit is to be mounted further ahead, a longer C.A. tractor must be used. Note: The kingpin (fifth wheel fore-aft pivot center) must be ahead of the rear axle or bogie center when in the fully raised position. For desired fifth wheel installed height, it may be necessary to reduce tire size, install full pickup ramps, or remove spring leaves to achieve desired fifth wheel heights when coupling.

WARNING: ONLY MODELS FW2800-X-87 AND FW2900-X-87 WITH MANUAL SECONDARY LOCK AND LIFT LOCK DOWN ARE DESIGNED FOR USE ON PUBLIC STREET OR HIGHWAYS. THE MANUAL SECONDARY LOCK MUST BE ENGAGED TO PREVENT ACCIDENTAL DISENGAGEMENT OF THE TRAILER KINGPIN. FAILURE TO ENGAGE THE MANUAL SECONDARY LOCK AND LOCK DOWN LIFT MECHANISM PER HOLLAND OPERATING PROCEDURES MAY RESULT IN TRACTOR-TRAILER SEPARATION WHICH, IF NOT AVOIDED, COULD RESULT IN DEATH OR SERIOUS INJURY.



SAF-HOLLAND is a leading supplier of highly efficient components, systems and service programs in the global commercial vehicle industry. Our three core product brands are recognized for delivering innovative solutions that optimize fleet operations in every corner of the world.



**TRAILER AXLES AND
SUSPENSION SYSTEMS**



**COUPLING AND LIFTING
TECHNOLOGIES**



**SUSPENSIONS FOR
TRUCKS AND BUSES**

With our team of over 3,000 employees and a worldwide network of over 9,000 service partners, we serve our fleet customers with know-how and passion, and always focused on one target: **Engineering your road to success.** Anywhere in the world. Under any conditions. 365 days a year.

HIGHLY EFFICIENT COMPONENTS AND SYSTEMS FOR TRUCKS AND TRAILERS



FRONT_{to}BACK
SAF-HOLLAND ORIGINAL PARTS



ORIGINAL SERVICE PARTS DESIGNED TO KEEP YOU ROLLING

safholland.com

SAF-HOLLAND, Inc.
800.876.3929 Fax 800.356.3929

